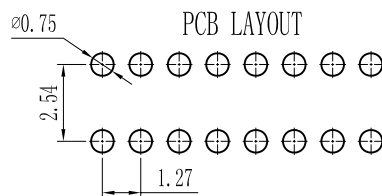
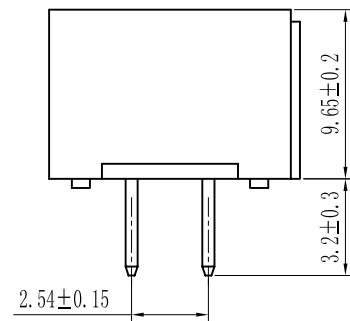
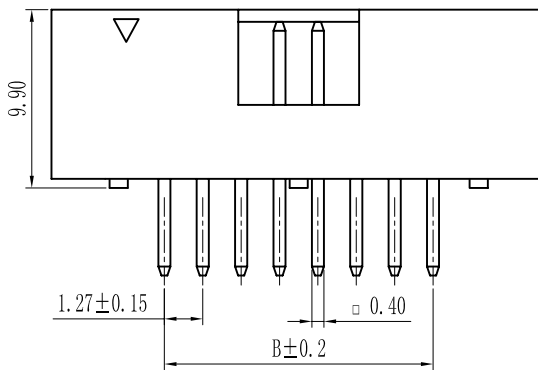
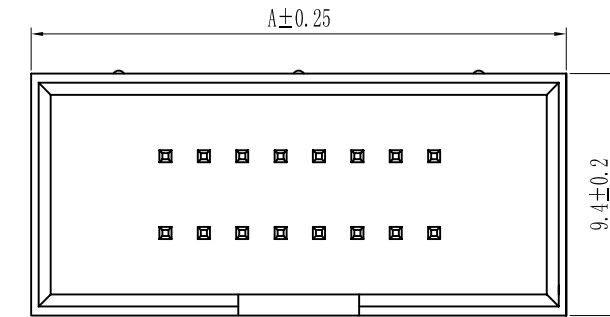


Pin數	尺寸A	尺寸B
2×5	13.9	6.35
2×6	15.17	7.62
2×7	16.44	8.89
2×8	17.71	10.16
2×9	18.98	11.43
2×10	20.25	12.70
2×11	21.52	13.97
2×12	22.79	15.24
2×13	24.06	16.51
2×14	25.33	17.78
2×15	26.60	19.05
2×16	27.87	20.32
2×17	29.14	21.59
2×18	30.41	22.86
2×19	31.68	24.13
2×20	32.95	25.40
2×21	34.22	26.67
2×22	35.49	27.94
2×23	36.76	29.21
2×24	38.03	30.48
2×25	39.30	31.75
2×26	40.57	33.02
2×27	41.84	34.29
2×28	43.11	35.56
2×29	44.38	36.83
2×30	45.65	38.10
2×31	46.92	39.37
2×32	48.19	40.64
2×33	49.46	41.91
2×34	50.73	43.18
2×35	52.00	44.45
2×36	53.27	45.72
2×37	54.54	46.99
2×38	55.81	48.26
2×39	57.08	49.53
2×40	58.35	50.80
2×41	59.62	52.07
2×42	60.89	53.34
2×43	62.16	54.61
2×44	63.43	55.88
2×45	64.70	57.15
2×46	65.97	58.42
2×47	67.24	59.69
2×48	68.51	60.96
2×49	69.78	62.23
2×50	71.05	63.50

SPECIFICATIONS

Current Rating : 1AMP
 Operating Temperature : -40°C to +105°C
 Contact Resistance : 20mΩ Max
 Insulation Resistance : 1000MΩ Min
 Withstand Voltage : AC 500V
 Insulating Material : Polyester (UL94V-0)
 Standard : PA6T
 Contact Material : Brass
 Contact Plating : Au or Sn Over 50u" Ni



思拓電子有限公司
 SINOTOP ELECTRONICS CO., LIMITED
 TEL:+86-0755-61511561 FAX:+86-0755-61280927
 電話: 0755-61511560 傳真:0755-61280927

批准	日期	比例	公差範圍	
		1:1	.0	±0.3
審核	單位	視圖	.00	±0.2
	mm		.000	±0.1
繪圖	編號	尺寸	角度	
		A4	±2°	

1.27間距Ejector Header connectors